

# SEERS

Innovation Is Our Promise



**NO RISK OF ELECTROCUTION**

SEERS

d<sub>4</sub> / d<sub>5</sub>

INSTANT WATER HEATER

# 12 SAFETY POINTS

## SEERS INSTANT WATER HEATER - F23HT

### 2 International Protection Rating

- Water jets proof design comply with IEC 60529 for high level protection.

### 4 Touch Screen Control

- Non Hazardous even in contact with wet condition.

SEERS

### 1 Fully Concealed Casing

- Zero moving parts / gaps design to avoid sharp object penetration towards.

### 3 Fire Retarded Casing Material

- Non flammable.

### 11 Non Combustible Heat Chamber

- Full stainless steel
- Rigid structure

### 10 No Heating Element

- Non conductive heat plate
- No risk of electric leakage

### Safety Power Cut

- Build in high sensitivity digital earth leakage circuit breaker (ELCB)
- Double Pole cut both live and neutral

### 7 Thermal Cut-Off

- Overheating protection 2 pole complete power cut off in abnormal condition.
- Manual reset to prevent damages

### 6 Auto Sensing Temperature Cut-Out

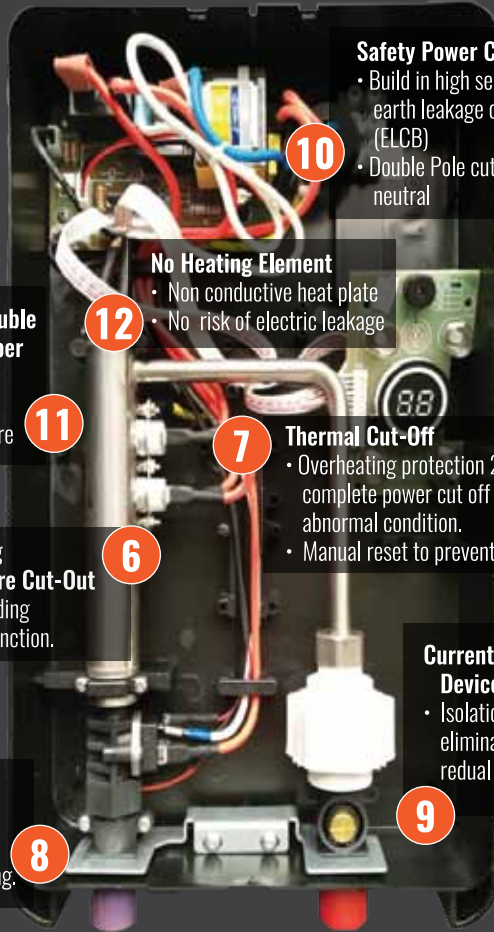
- Prevent scalding
- Auto reset function.

### 9 Current Breaking Device (CBD)

- Isolation barrier to eliminate any residual leakage.

### 8 Water Flow Switch

- Deactivate heating if absent of incoming water.
- Prevent Dry-run and over heating.



## OPERATING MODE

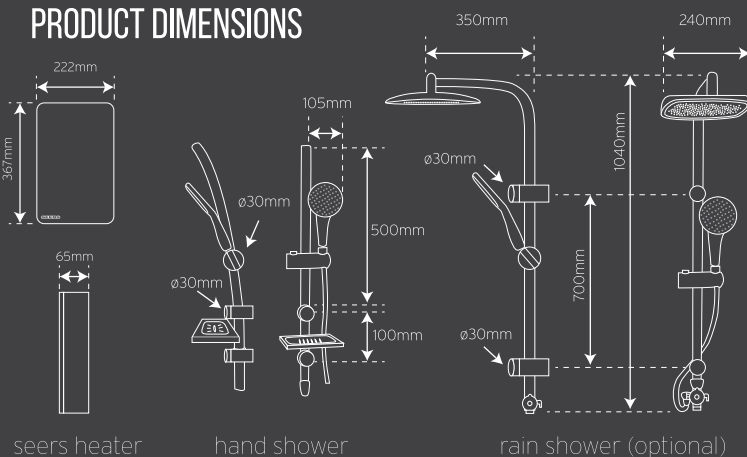
<b>TEST</b>	Build in ELCB protection device (E1)
<b>RESET</b>	System reset return to normal operation (P2)
+	Heat Up
-	Heat Down
↻	Pump On
⏏	Pump Off

↑ Cold Water Inlet      ↓ Hot Water Outlet

## COLOR AVAILABLE :



## PRODUCT DIMENSIONS



## SPECIFICATIONS

MODEL FEATURES	INSTANT WATER HEATER	
	WITHOUT PUMP F23HT	WITH PUMP R23RT
Rated Power	3.0 Kw	3.0 Kw
Rated Voltage	230Vac/phase	230Vac/phase
Rated Current	13 Amps	13 Amps
Connecting Cable Size	4.0 mm <sup>2</sup>	4.0 mm <sup>2</sup>
Output Temperature	35°C ~ 45°C	35°C ~ 45°C
IP	IP 25	IP 25
Minimun Flow	2L/min	2L/m
Inlet and outlet	BSP 1/2 "	BSP 1/2 "

**AUTHORIZED DEALER**

- 1st in the world
- Award Winner
- Energy Saving
- No Risk of Electrocution
- 3 Tiers Filtration
- 5+ Tiers Protection

